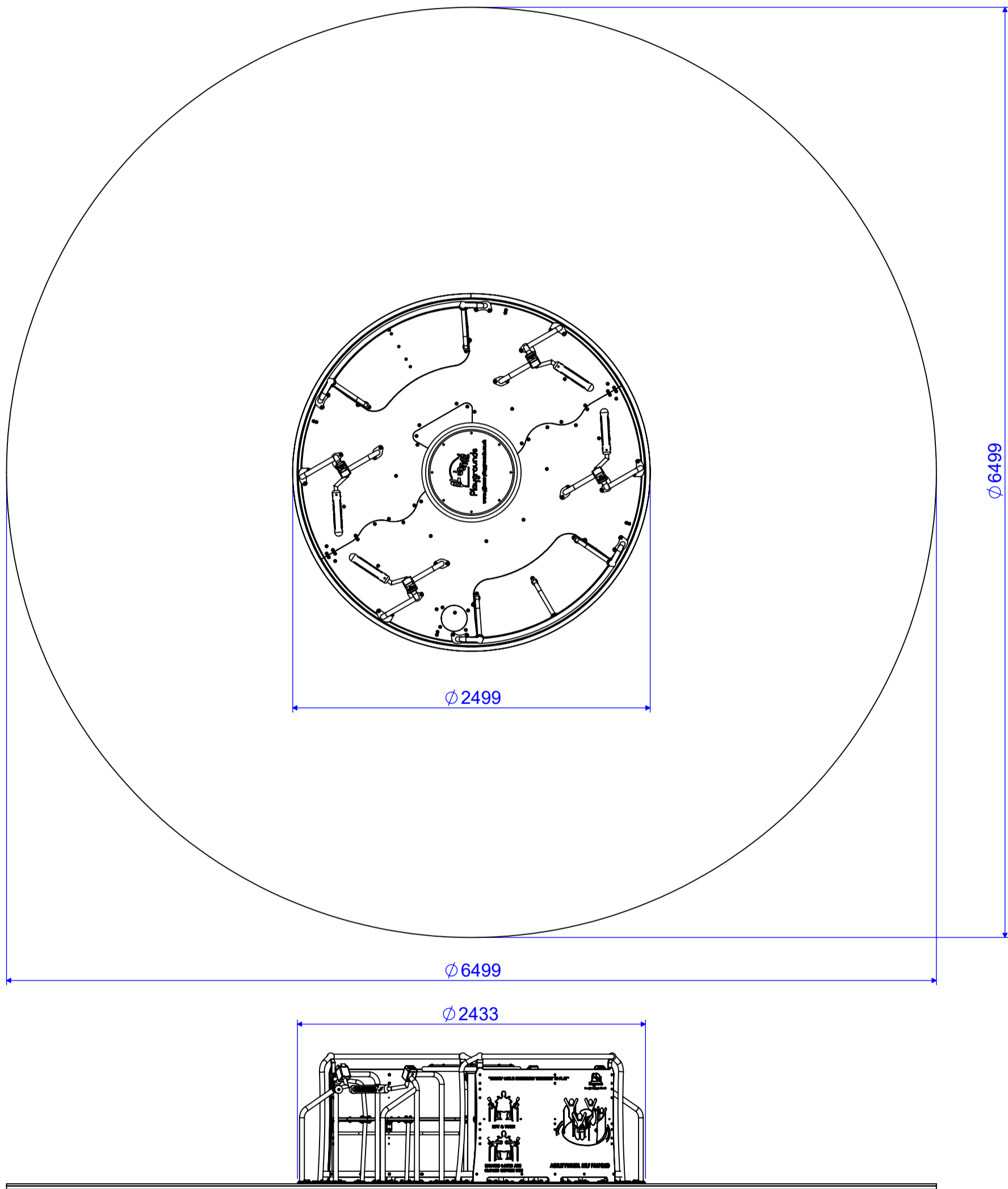


Item	Type	Min Qty.
Wetpour (m ²)	FFH1.0 m	28.27
Unit Fix (m ³)	1:2:4 Concrete	0.19
Surfacing Base (m ³)	MOT Type 1	3.23
Length of Edging (m)	Perimeter	20.42

ESTIMATED QUANTITIES ONLY



Current Drawing Status	In Development
Manufacturing Manual	60

This drawing must not be copied or passed on to a third party without the specific permission of G.L. Jones Playgrounds Ltd. This drawing is supplied on the understanding that the installer has the required skills to ensure correct installation - G.L. Jones Playgrounds Ltd can only guarantee installations completed under their direct supervision.



GL Jones Playground Ltd
 Station Road, Bethesda
 Gwynedd LL57 3NE
 Tel: 01248 600372
 info@gljones-playgrounds.co.uk
 www.gljones-playgrounds.co.uk

	NAME
LASTSAVE	Mike.Roberts
DRAWN	N. Williams

DO NOT SCALE DRAWING REVISION 14

TITLE: Self Propelled AbilityWhirl

This Drawing should **NOT** be used for Installation purposes. For Guidance Only

DWG NO. D004-001	A3
DATE 14/10/2016	SHEET 7