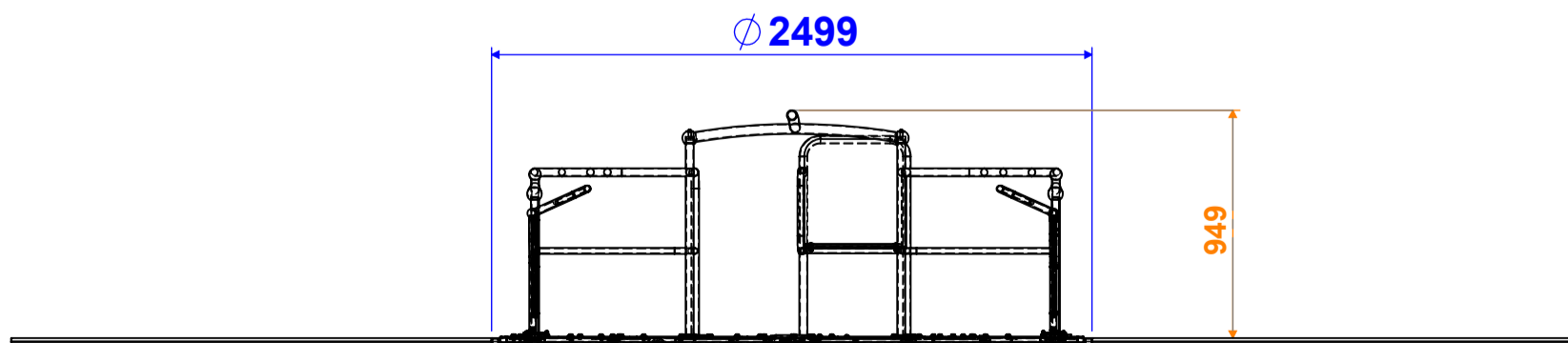
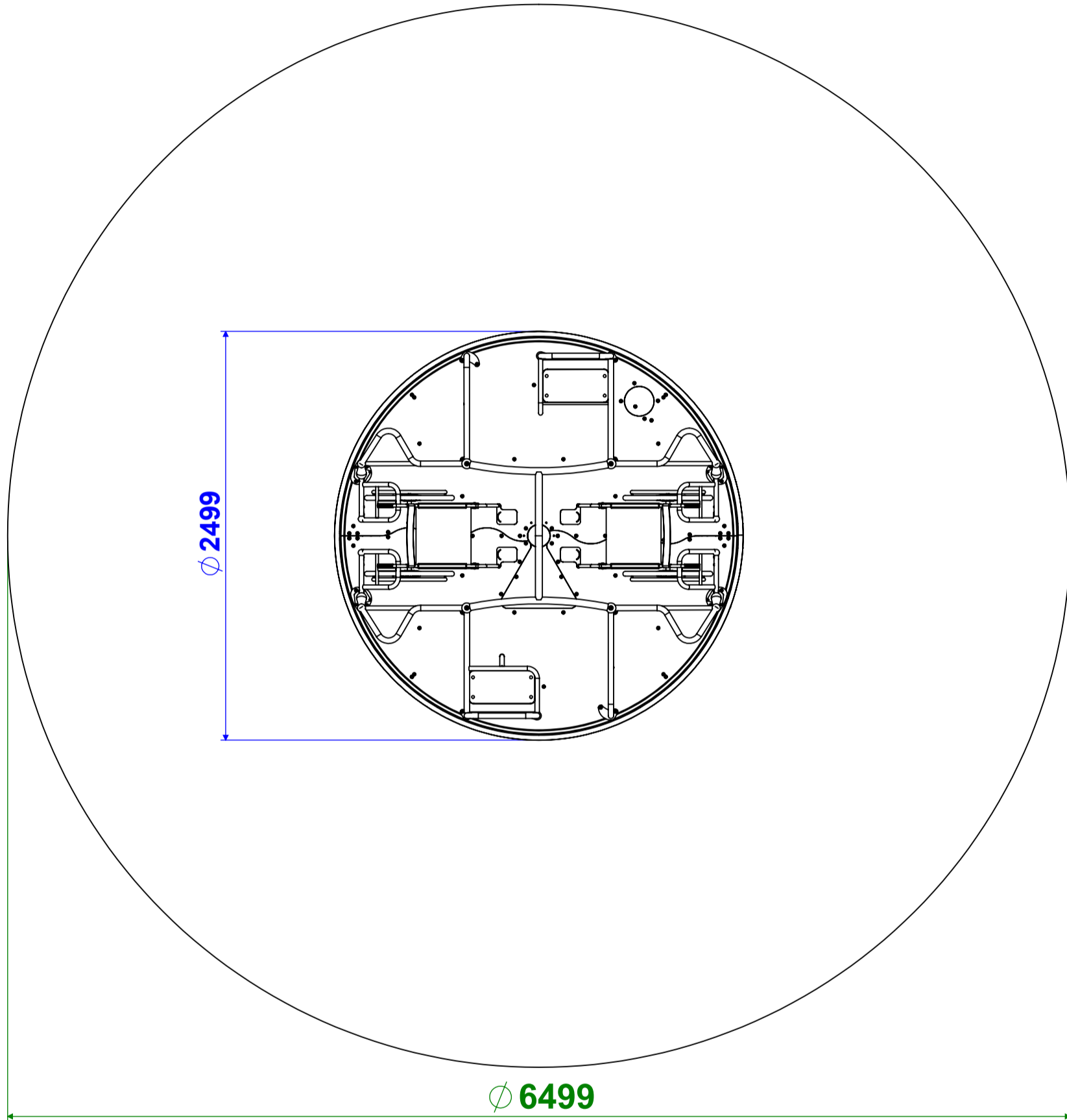


Item	Type	Min Qty.
Wetpour (m ²)	FFH 1.0 m	28.27
Unit Fix (m ³)	1:2:4 Concrete	0.19
Surfacing Base (m ³)	MOT Type 1	3.23
Length of Edging (m)	Perimeter	20.42

ESTIMATED QUANTITIES ONLY



Current Drawing Status	Approved
Manufacturing Manual	90

This drawing must not be copied or passed on to a third party without the specific permission of G.L. Jones Playgrounds Ltd. This drawing is supplied on the understanding that the installer has the required skills to ensure correct installation - G.L. Jones Playgrounds Ltd can only guarantee installations completed under their direct supervision.



GL Jones Playground Ltd
 Station Road, Bethesda
 Gwynedd LL57 3NE
 Tel: 01248 600372
 info@gljones-playgrounds.co.uk
 www.gljones-playgrounds.co.uk

	NAME
LASTSAVE	nathan.williams
DRAWN	Mike Roberts

DO NOT SCALE DRAWING REVISION 17

TITLE: AbilityWhirl with 1 Standard & 1 Cradle Seat

This drawing is for guidance only and has been produced with the BS EN1176 & BS EN 1177 standards in mind. The installer will need to ensure compliance with their country's standards before using this drawing.

DWG NO. D009-001	A3 ©
DATE 15/06/2023	Website View