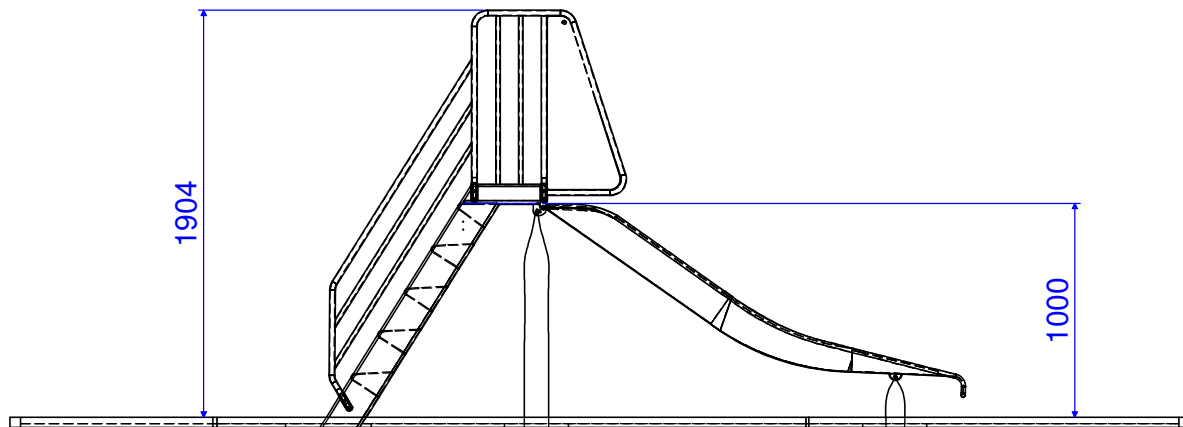
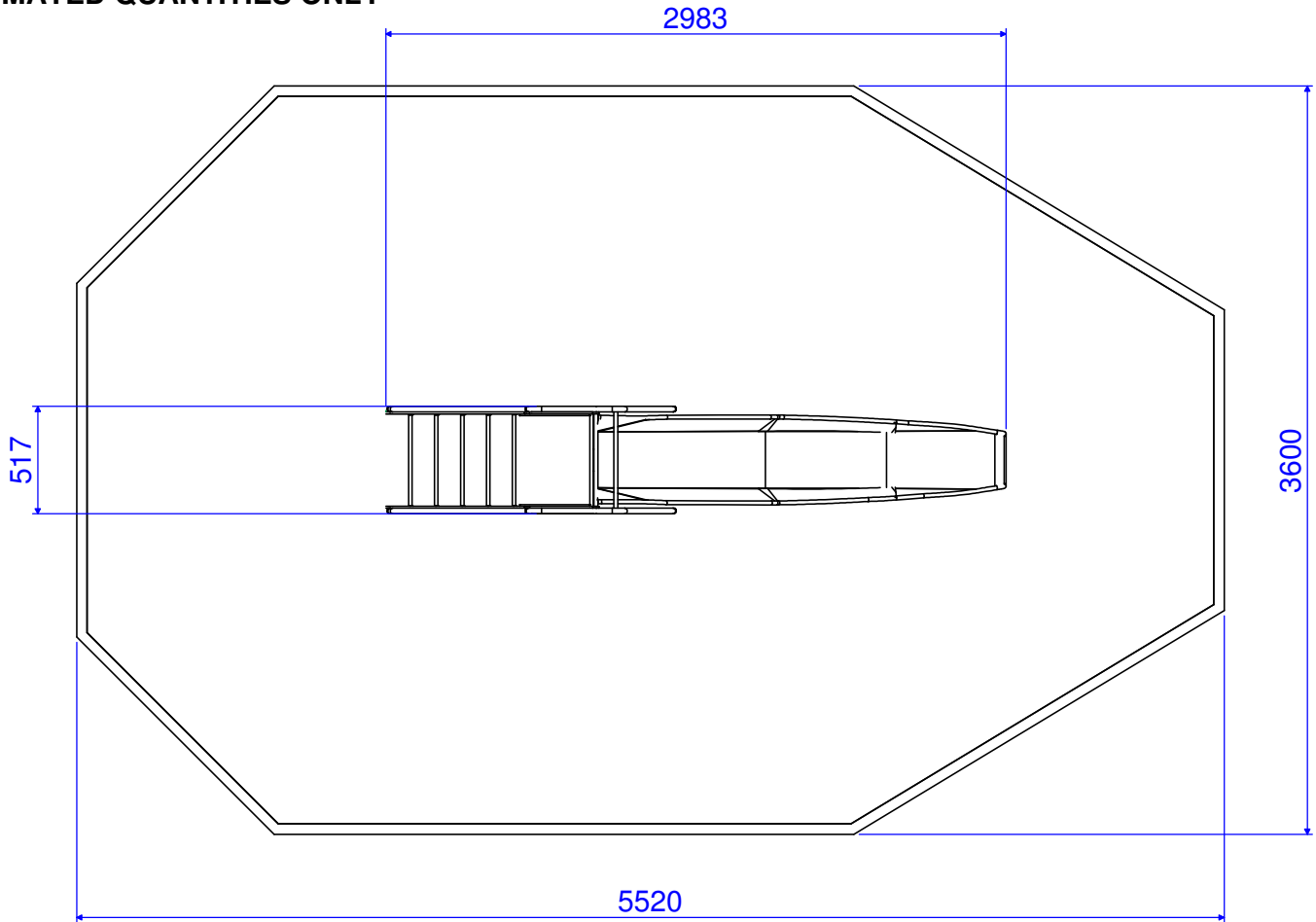


Item	Type	Min Qty.
Wetpour (m ²)	FFH 1.0 m	16.28
Unit Fix (m ³)	1:2:4 Concrete	0.28
Surfacing Base (m ³)	MOT Type 1	1.57
Length of Edging (m)	Flat Top PCC	15.575
Edging Fix (m ³)	1:2:4 Concrete	0.623

ESTIMATED QUANTITIES ONLY



This drawing should not be used for installation purposes.
For guidance only

GL Jones Playgrounds Ltd.

Tel: 01248 600372 Fax: 01248 602086 E-mail: info@gljones-playgrounds.co.uk