

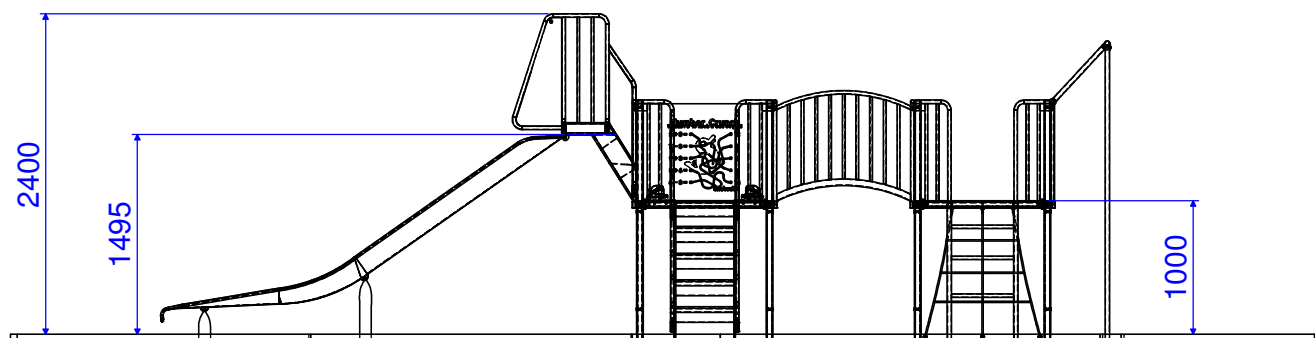
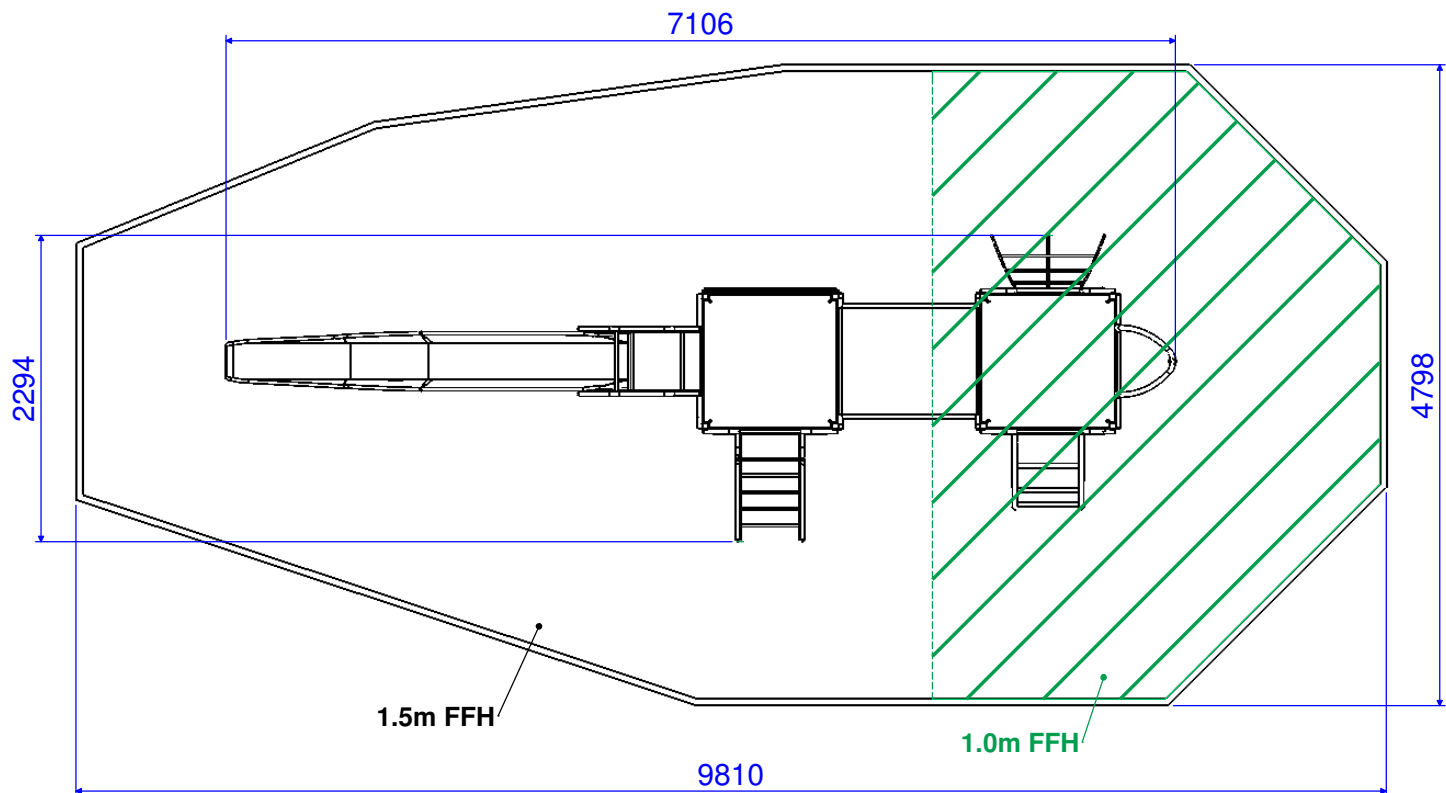
H005-001(02) - Selont Unit

May 2011

Reference information

Item	Type	Min Qty.
Wetpour (m ²)	FFH 1.0 m	13.39
Wetpour (m ²)	FFH 1.5 m	23.79
Unit Fix (m ³)	1:2:4 Concrete	0.66
Surfacing Base (m ³)	MOT Type 1	3.52
Length of Edging (m)	Flat Top PCC	24.97
Edging Fix (m ³)	1:2:4 Concrete	0.75

ESTIMATED QUANTITIES ONLY



This drawing should not be used for installation purposes.
For guidance only

GL Jones Playgrounds Ltd. 

Tel: 01248 600572 Fax: 01248 602086 E-mail: info@gljones-playgrounds.co.uk