

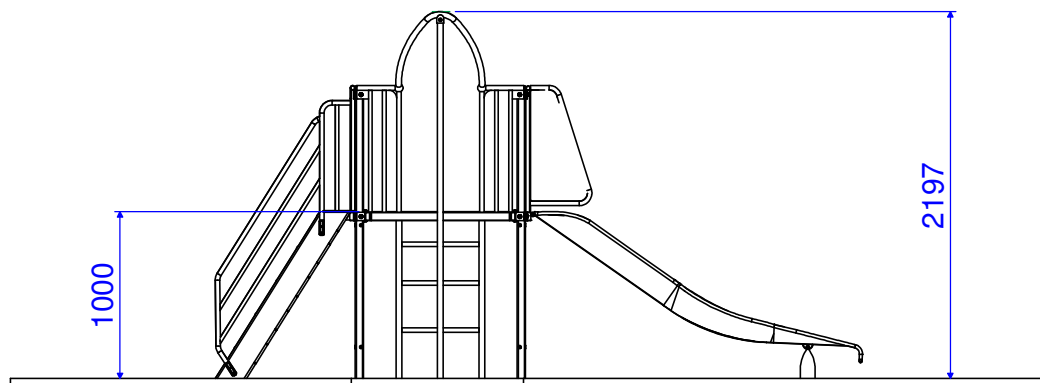
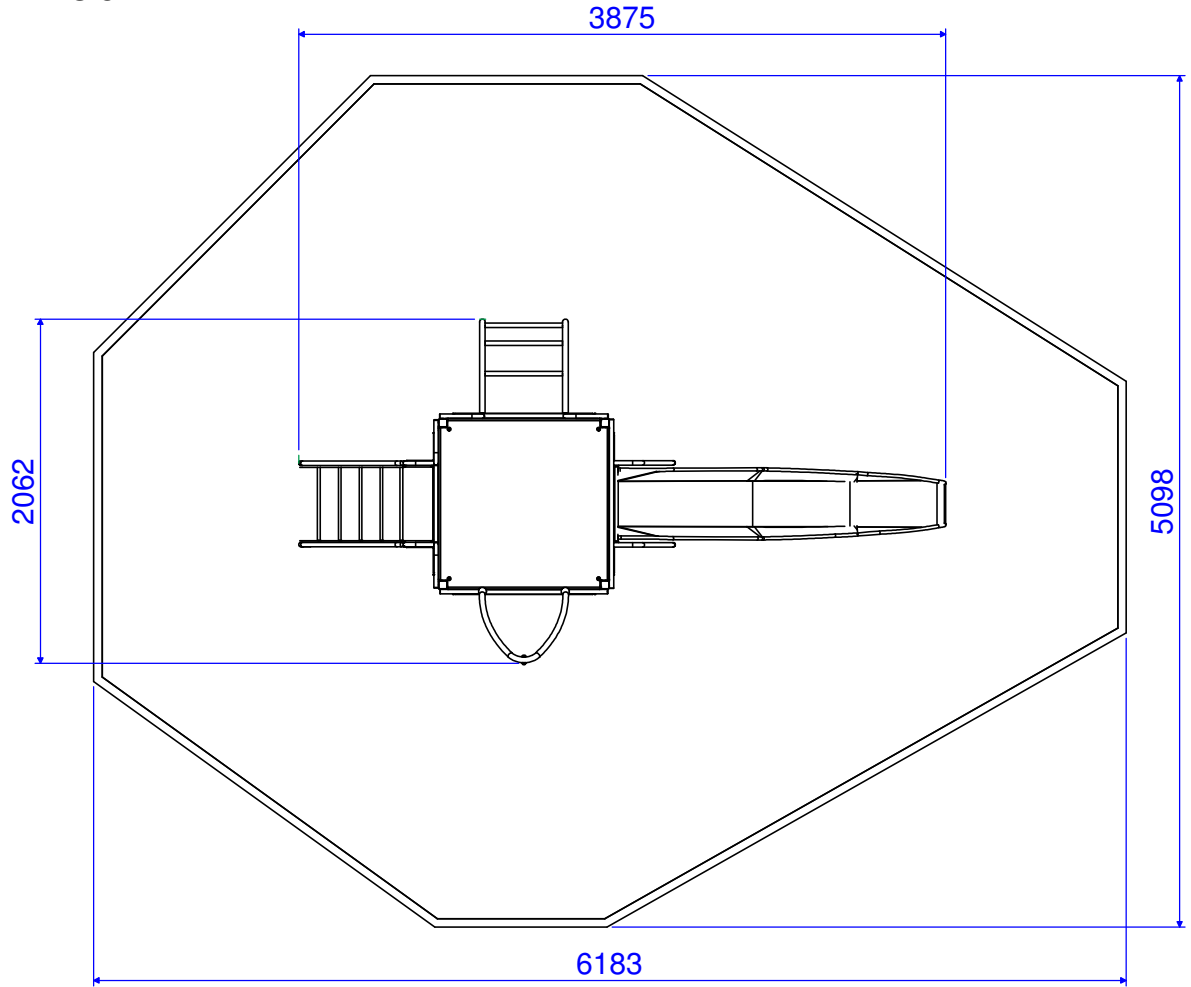
H008-001(02) - Rhondda Unit

May 2011

Reference information

<i>Item</i>	<i>Type</i>	<i>Min Qty.</i>
Wetpour (m ²)	FFH 1.0 m	22.37
Unit Fix (m ³)	1:2:4 Concrete	0.38
Surfacing Base (m ³)	MOT Type 1	2.13
Length of Edging (m)	Flat Top PCC	18.0
Edging Fix (m ³)	1:2:4 Concrete	0.54

ESTIMATED QUANTITIES ONLY



This drawing should not be used for installation purposes.
For guidance only

GL Jones Playgrounds Ltd. 

Tel: 01248 600372 Fax: 01248 602086 E-mail: info@gljones-playgrounds.co.uk