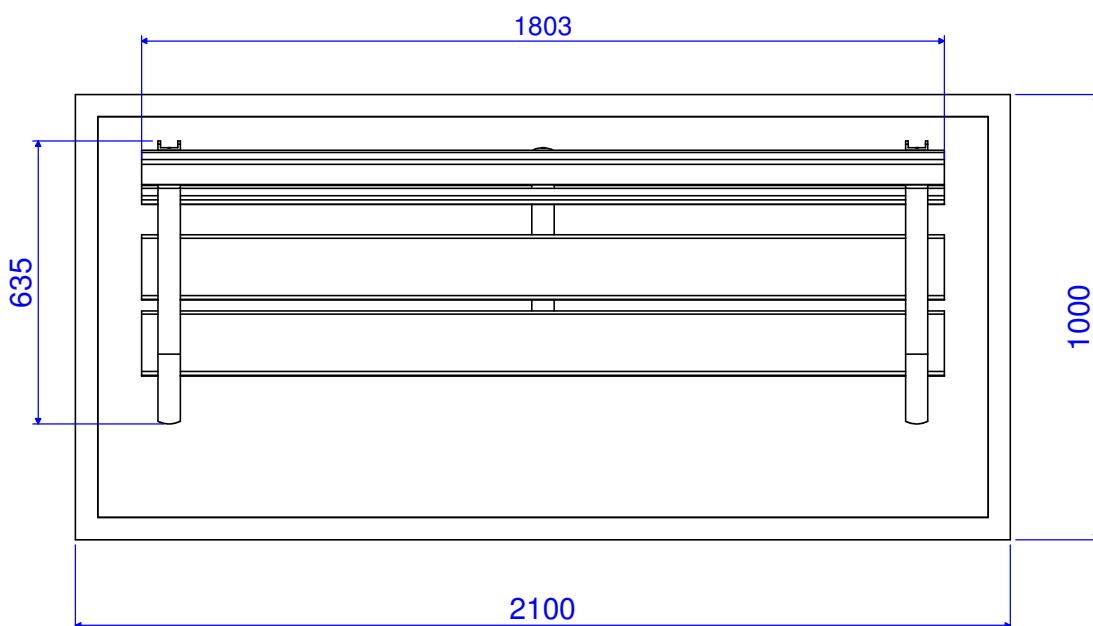
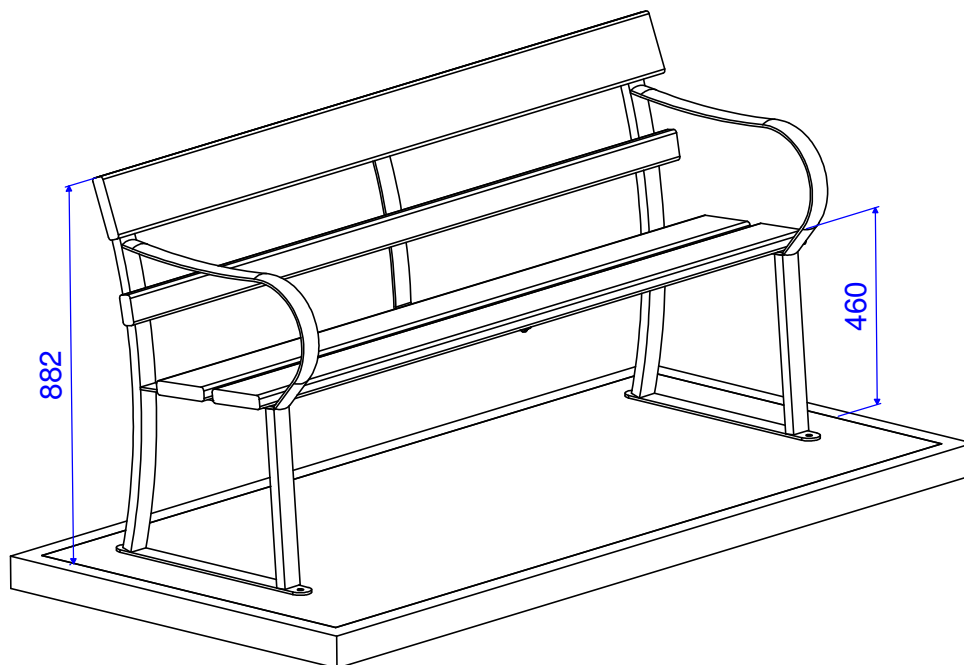


Item	Type	Min Qty
Concrete m3	1:2:4 or Equivalent	0.14

ESTIMATED QUANTITIES ONLY



This drawing should not be used for installation purposes.
For guidance only

GL Jones Playgrounds Ltd. 

Tel: 01248 600572 Fax: 01248 602085 E-mail: info@gljones-playgrounds.co.uk