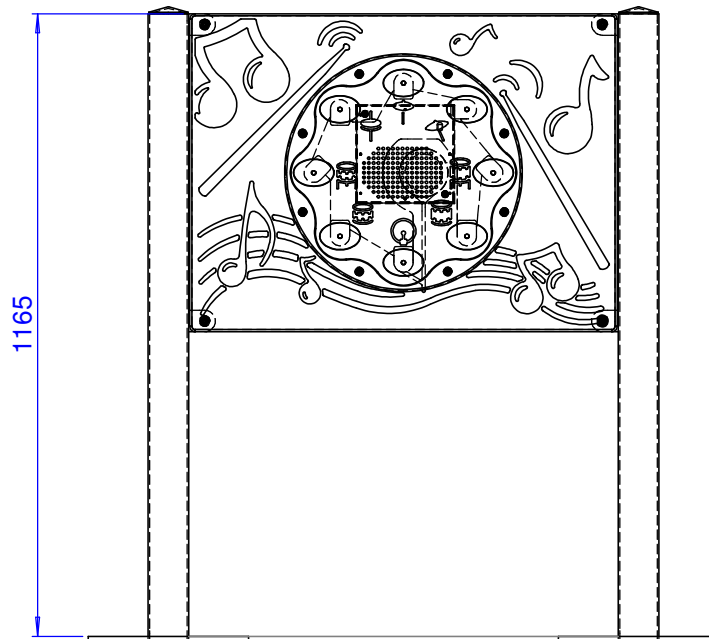
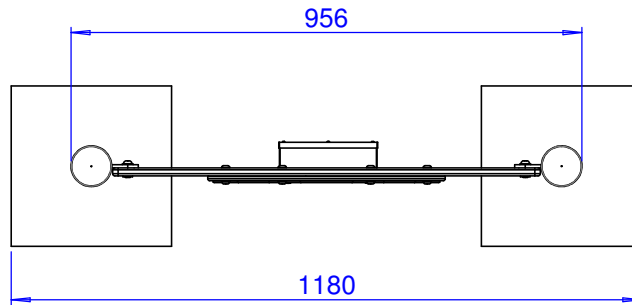


Item	Type	Min Qty
Concrete m3	1:2:4 or Equivalent	0.09

ESTIMATED QUANTITIES ONLY



This drawing should not be used for installation purposes.  
For guidance only